

ZENROBOTICS[®]
A TEREX BRAND



The New OmniPicker

High precision & speed
Powered by Industrial AI
Compact Plug-and-Play

terex.com/zenrobotics

Overview

Recover More. Waste Less.

The global standard in AI-driven waste recovery.



The OmniPicker is an intelligent, high-speed robust sorting machine that secures your output quality. Advanced material analytics with powerful mechanical muscle. Protect your process from costly hazards. With Omnipicker you gain a reliable, long-term partner with a worldwide service network.

- **Built for Extreme:** IP67-rated, dust-proof, and water-resistant hardware.
- **Power & Speed*:** Up to 60 picks per minute and 15 kg lifting capacity.
- **Precision Picking*:** Up to 99,9% purity & yield.
- **Throughput*:** Up to 100 tons per hour.
- **Deep Intelligence:** ZenVision analytics and 7-day playback.
- **Modular:** Fits different conveyor widths & layouts.

OmniPicker

Material Analytics & Digital Tools

More than a sorting robot, the OmniPicker provides deep operational intelligence through integrated digital waste insights, high resolution picking playback, and predictive diagnostics.

- **ZenVision Digital Analytics:** Transform raw sensor data into real-time KPIs, including mass, object counts, and financial value.
- **Live Purity Analytics:** Automated verification of your output quality. Download boardroom-ready CSV/PDF reports with a single click.
- **7-Day Forensic Playback:** Stop guessing and start knowing. Replay, zoom, and inspect any object from the last week to verify purity or investigate downtime.
- **Active Recognition Refinement:** Master your facility's unique material streams. Manually tag new objects or correct recognition outcomes directly in the interface.
- **Predictive Diagnostics:** Early warning systems for mechanical conditions—such as gripper pressure or friction increases—before they cause a breakdown.



Key Benefits

- ✓ Unmanned 24/7 safe sorting.
- ✓ Multiple high-quality recyclables.
- ✓ Minimal pre-processing.
- ✓ Trainable and adjustable sorting.
- ✓ Online material composition analysis.
- ✓ Low operation and investment cost.

Sorting Tasks



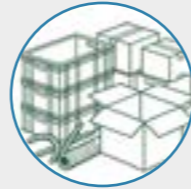
Scrap Metals

- Meatballs
- Copper Wires
- E40 Quality Control
- Ferrous/non-ferrous
- WEEE
- Tire Chips



Construction & Demolition (C&D)

- Wood (A-D)
- Inert materials (bricks/concrete)
- Metals
- Polymers



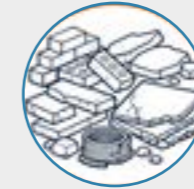
Commercial and Industrial (C&I)

- Rigid plastics
- OCC
- Mixed wood
- Scrap metals



Rigid Plastics

- PP
- PE
- PVC
- PET – Including complex black plastics



Mixed Inert

- Bricks
- Asphalt
- Gypsum
- Concrete
- Stones



MSW

- Bulky Waste
- Color-coded bag sorting

NEW



Hazardous & Specialized

- Asbestos detection
- Incineration Bottom Ash (IBA) recovery



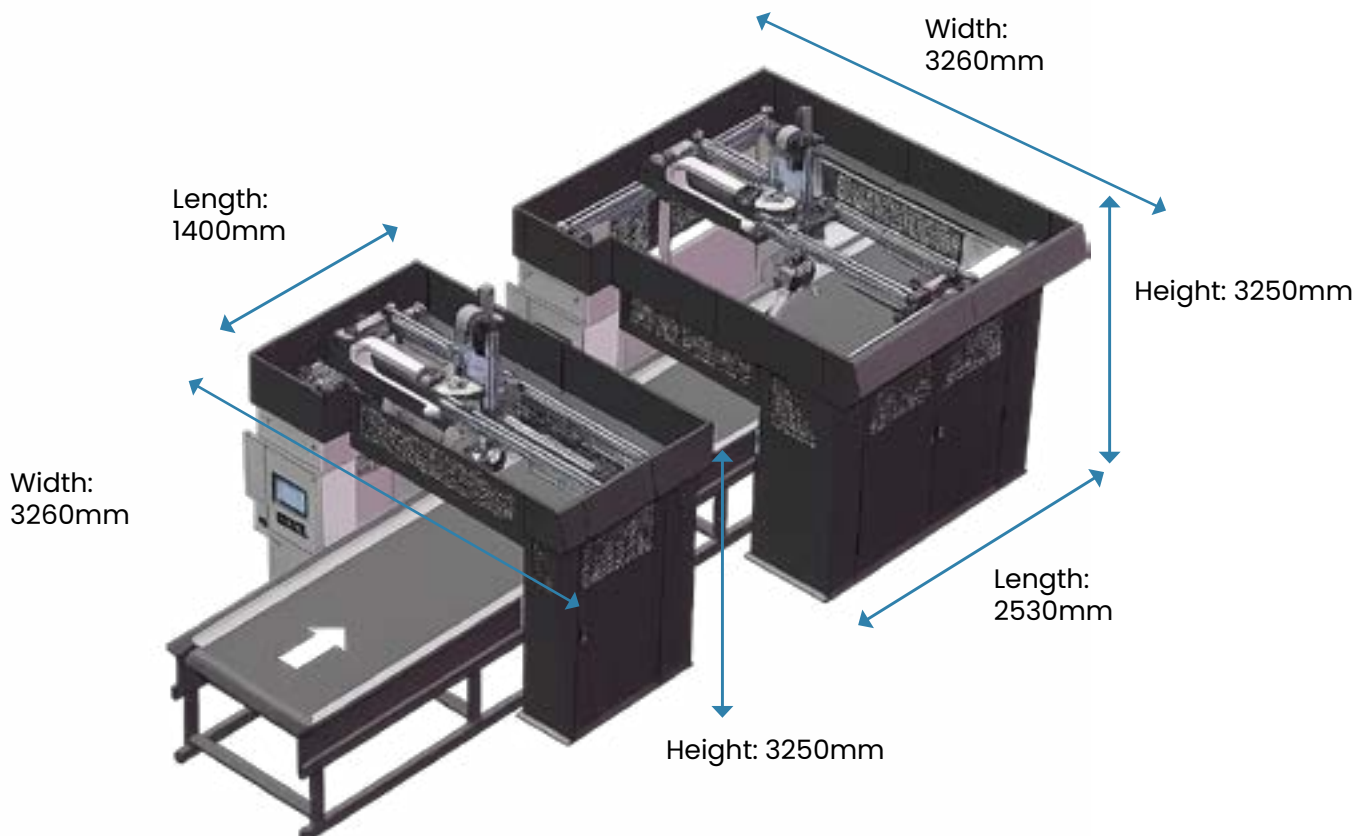
Train your own: The robot can be trained to sort any waste you need - fully adaptable to your needs.

Technical Specification

Robot Arms	As many as required	
ZenVision System	1 system (incl. processor+sensor) per robotic arm	Max. Object Size
Gripper Type	Mechanical Gripper (model selected from catalogue depending on sorted material)	No. of Recognised Fractions
Max. Speed per Arm	3600 pph / 60 ppm*	Vision System
Sorting Belt Speed	max 1 m/s	Air Consumption
Belt Width	Between 800mm - 1800mm	Installed Power (per 1 robot)
Discharge Chutes	Up to 2- 6 per Arm (1-3 per side)	Noise Level
Max. Object Weight	15 kg	
Robot Dimensions	Customisable to suit customer requirements	

*100% utilisation in ideal conditions. Actual picking speed depends on material feed.

Dimensions – Standard & Narrow



Tandberg Engineering AS, Hegdalbakken 5, 3261 Larvik, Norway

Tel: +47 94980635 Email: post@tane.no www.tandbergengineering.no / www.tane.no

The material in this document is for information only and is subject to change without notice.

ZenRobotics assumes no liability resulting from errors or omissions in this document, or from the use of the information contained herein.

Due to continual product development we reserve the right to change specifications without notice. Product performance figures given in this brochure are for guidance purposes only, this information does not constitute an expressed or implied warranty or guarantee, but shows test examples. These results will vary depending on application. Photographs are for illustrative purposes only, some or all of the machines in the illustrations may be fitted with optional extras. Please check with your Dealer for details on optional extras.

